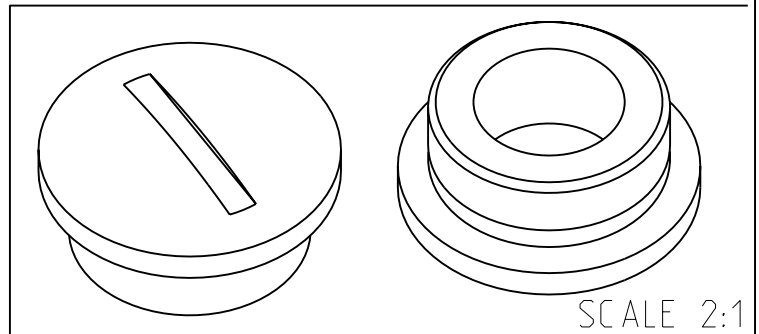
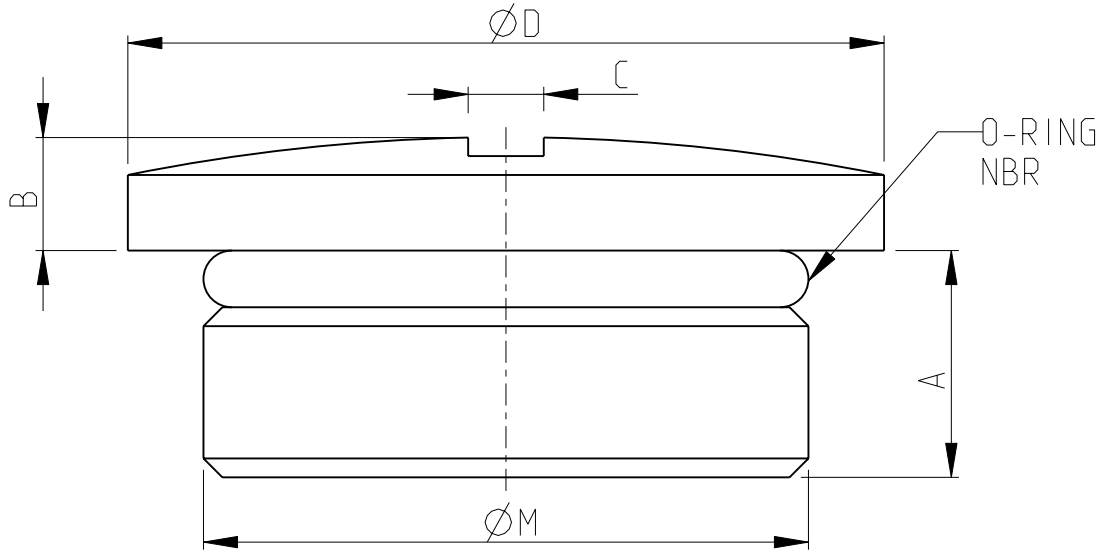


LOC	DIST	REVISIONS				
P	LTR	DESCRIPTION	DATE	DWN	APVD	
-	-	A2	RELEASED AS PER ECR-09-009652	28.APR.2009	GG TS	

NOTES

- PARTS SHALL BE BLANK, SMOOTH, FREE OF BURS AND ALL OTHER FOREIGN MATERIAL
- ENCLOSURE: IP68, 5bar-30bar MIN
- TEMPERATURE RANGE: -20°C TO +100°C



M50x1.5	50	55.0	9.0	6.0	2.0	47.0x2.5	13.5 Nm
M40x1.5	40	45.0	8.0	4.0	2.0	37.0x2.0	13.5 Nm
M32x1.5	32	35.0	8.0	4.0	2.0	28.0x3.0	10.0 Nm
M25x1.5	25	28.0	7.0	4.0	2.0	21.0x1.5	7.0 Nm
M20x1.5	20	24.0	6.5	3.0	2.0	18.0x1.5	5.0 Nm
M16x1.5	16	20.0	6.0	3.0	2.0	13.0x1.5	4.0 Nm
SIZE	ØM	ØD	A	B	C	O-RING	TORQUE

DIMENSIONS

2000  
RELEASED FOR PUBLICATION  
THIS DRAWING IS UNPUBLISHED.  
COPYRIGHT 2000 BY TYCO ELECTRONICS CORPORATION. ALL RIGHTS RESERVED.

©

DIMENSIONS:  
mm

TOLERANCES UNLESS OTHERWISE SPECIFIED:  
n. ISO 8015  
n. ISO 2768-mH-E  
n. DIN 16901-120

0 PLC	
1 PLC	±
2 PLC	±
3 PLC	±
4 PLC	±
ANGLES	±

DWN SCHNEIDER 11.04.2002	MATERIAL -	FINISH -
CHK BRAUN 11.04.2002	Tyco Electronics Tyco Electronics, AMP.GmbH 53757 Sankt Augustin, Germany	
APVD -		
PRODUCT SPEC -	NAME BLANKING PIECE WITH SEALING, METRIC	
APPLICATION SPEC -	SIZE A 4	CAGE CODE 00779
WEIGHT -	DRAWING NO C-1102773	RESTRICTED TO -
CUSTOMER DRAWING		SCALE 5:1
		SHEET 1 OF 1
		REV A2